



Micon Engineers ( Hubli ) Pvt. Ltd  
Quality in everything at it's best...



## PRODUCT CATALOG

### MAJOR SECTOR SERVED

HYDROCARBON, REFINERIES, POWER PLANT, PETROCHEMICAL, CHEMICAL INDUSTRY, FERTILIZERS, IRON & STEEL  
SUGAR INDUSTRY, PHARMACEUTICAL, WATER TREATMENT PLANT, GENERAL INDUSTRY.



### CERTIFICATION / APPROVALS



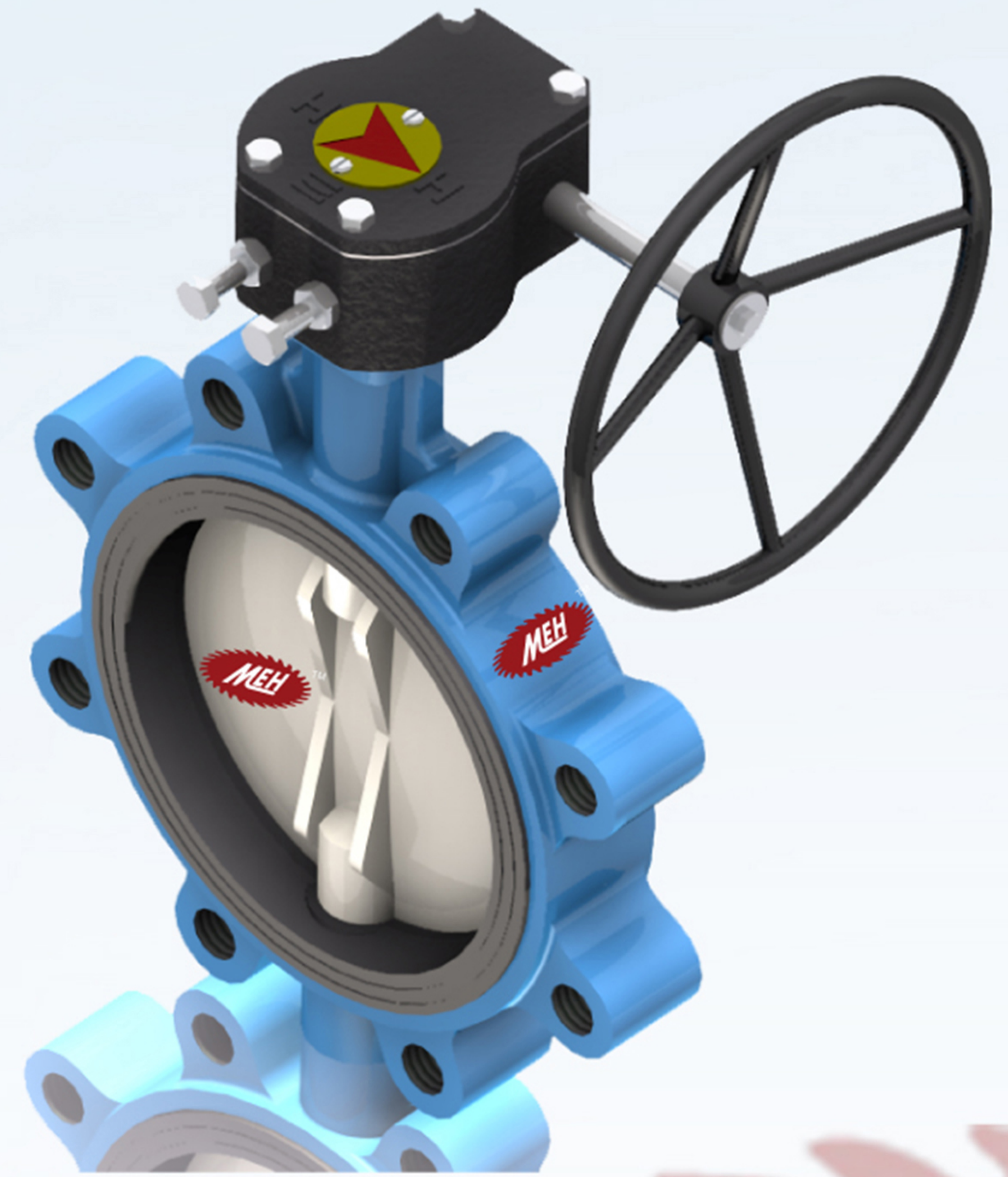
## TECHNICAL DATA

### Standards

- Design & Manufacturing std BS EN 593, IS 13095 & API 609
- Testing std BS EN 12266-1/BS 6755-1.
- Face to Face as per BS EN 558.

### Features

- Sizes : 40mm to 600mm.
- Suitable to sandwich between #125/150, PN10, PN16 & BS 10 TABLE D&E.
- Pressure rating PN 10 & PN 16 (MAX).
- Operating Temperatures - 40° c to 180° C  
Operation Lever Operated / Gear Operated  
Pneumatic & Electric Actuator Operated.
- Construction Type : Center disc design with replaceable rubber seat.
- Compact, small Accupacy.
- Excellent flow control in quarter turn operation / Throttling.
- Bi-directional 100% tight shut off.
- Low weight, Low Maintenance, Long service life.
- Both shafts mounted in bearing supports for easy operating Torques.
- Flange Gasket not required to install between flanges.

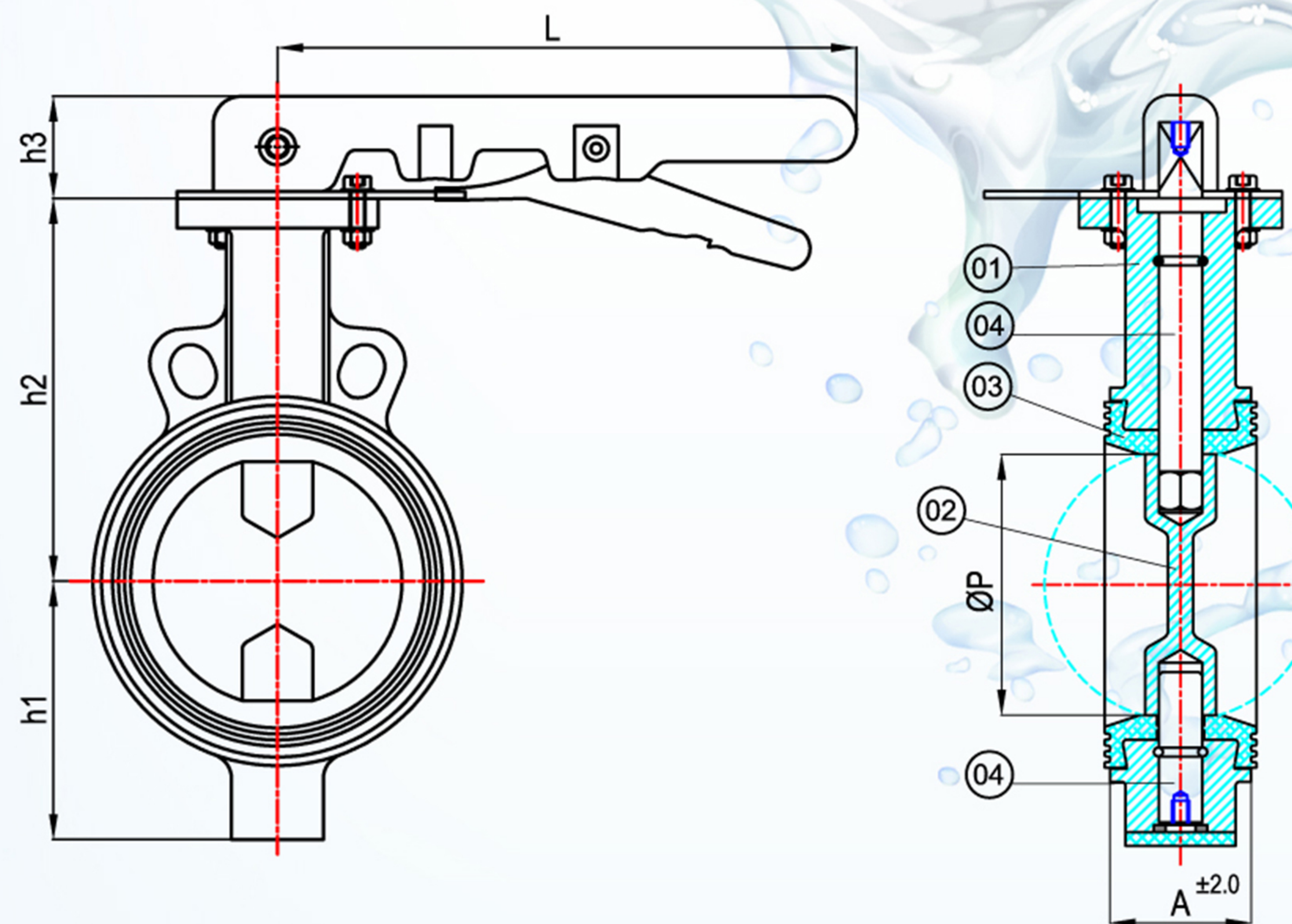


### Materials

Sr.No	Part Name	Material Option
01	Body	CI GGG25, DI GGG40, A216 WCB A351 CF8/CF8M, AB2.
02	Disc	DI GGG40, A3351 CF8/CF8M, AB2.
03	Seat / Sleeve	EPDM, NITRILE, VITON, NEOPRENE.
04	Shaft	ASTM A276 SS410/SS 304/SS 316/SS

### Dimensions

SIZE	ØP	A	L	H1	H2	H3	WT.(KG) L/O
40 (1.1/2")	40.5	33	175	105	51	24	1.1
50 (2")	51.0	43	175	102.5	61.5	27	1.1
65 (2.1/2")	68.0	46	262	120.0	70.0	27	1.9
80 (3")	76.5	46	262	126.0	76.0	27	2.5
100 (4")	99.0	52	262	146.0	95.0	30	2.7
125(5")	125.5	56	262	174.1	105.5	30	5.2
150 (6")	150.0	56	262	175.0	125.0	30	7.5
200 (8")	199	60	262	220.5	150.5	40	10.3
250 (10")	250	68	--	249.5	194.5	40	17
300 (12")	300	78	--	283.5	226	40	24.5
350 (14")	350	78	--	335	269	45	49.5
400 (16")	400	102	--	380	298	55	71
450 (18")	450	114	--	410	329	55	94
500 (20")	500	127	--	440	359	55	128
550 (")	550	154	--	475	406	65	158
600 (24")	600	154	--	495	439	65	188



**Notes:** • All Dimensions are in mm.

• MEH - Data provided for information only. Reserve the right to change without notice.



## TECHNICAL DATA

### Standards

- Design & Manufacturing BS EN 593
- Face to Face as per BS EN 558 - 1
- Testing Std BS 12266 - 1.
- Suitable for Mounting between #125/150, PN10, PN16 & BS 10 TABLE D & E - BS EN1092 / IS 6392.
- Leakage Class VI.

### Features

- Sizes : 100mm to 1600mm.
- Double Eccentric Disc Design
- Operating Temperatures - 40° c to 180° C
- Pressure rating #150,300(PN10, PN/PN16/PN25 & PN40).
- Operation : Lever Operated / Gear Operated  
Pneumatic & Electric Actuator Operated.
- Ends : Wafer Type / Lug Type / Flange Type.

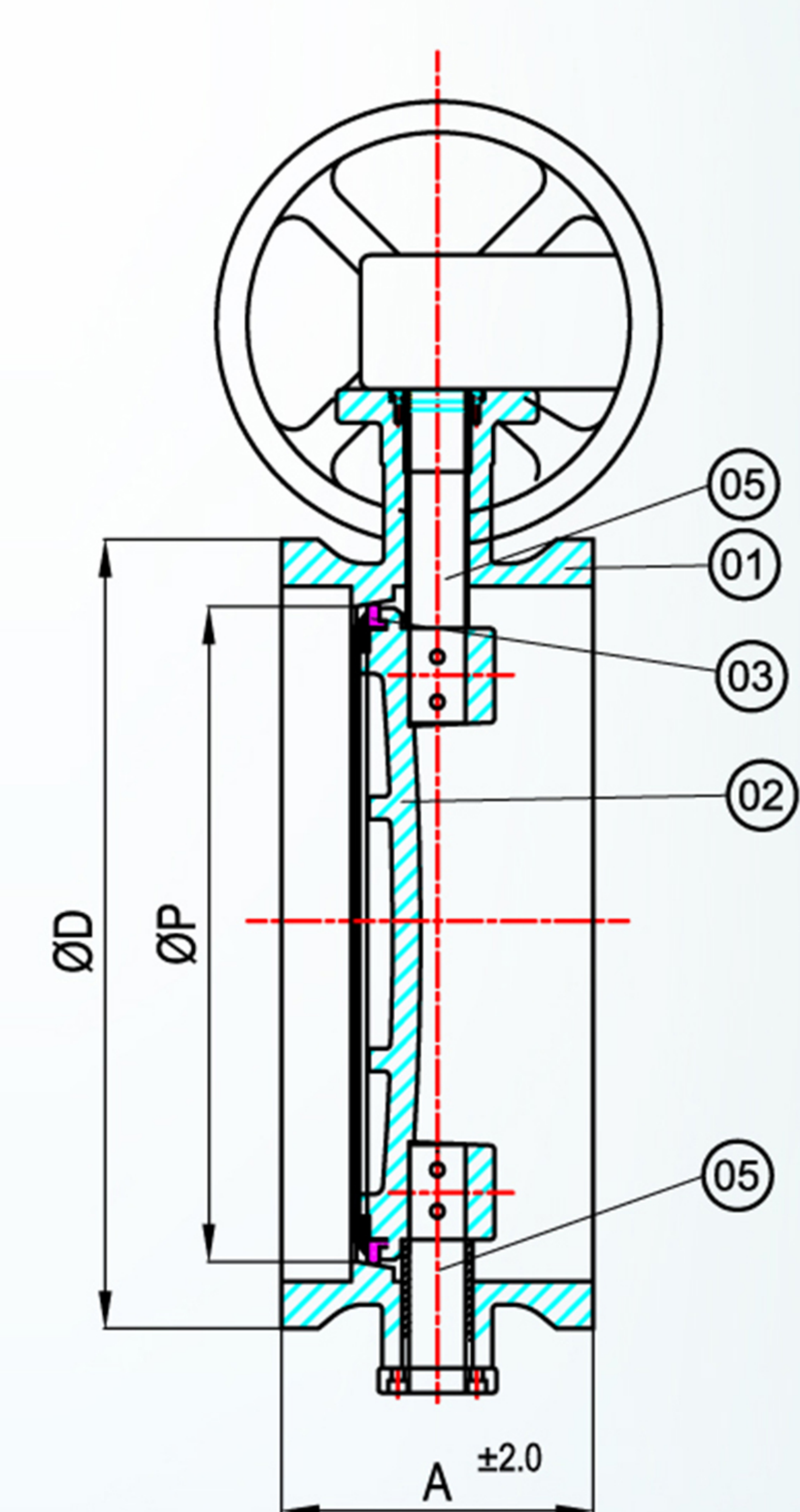
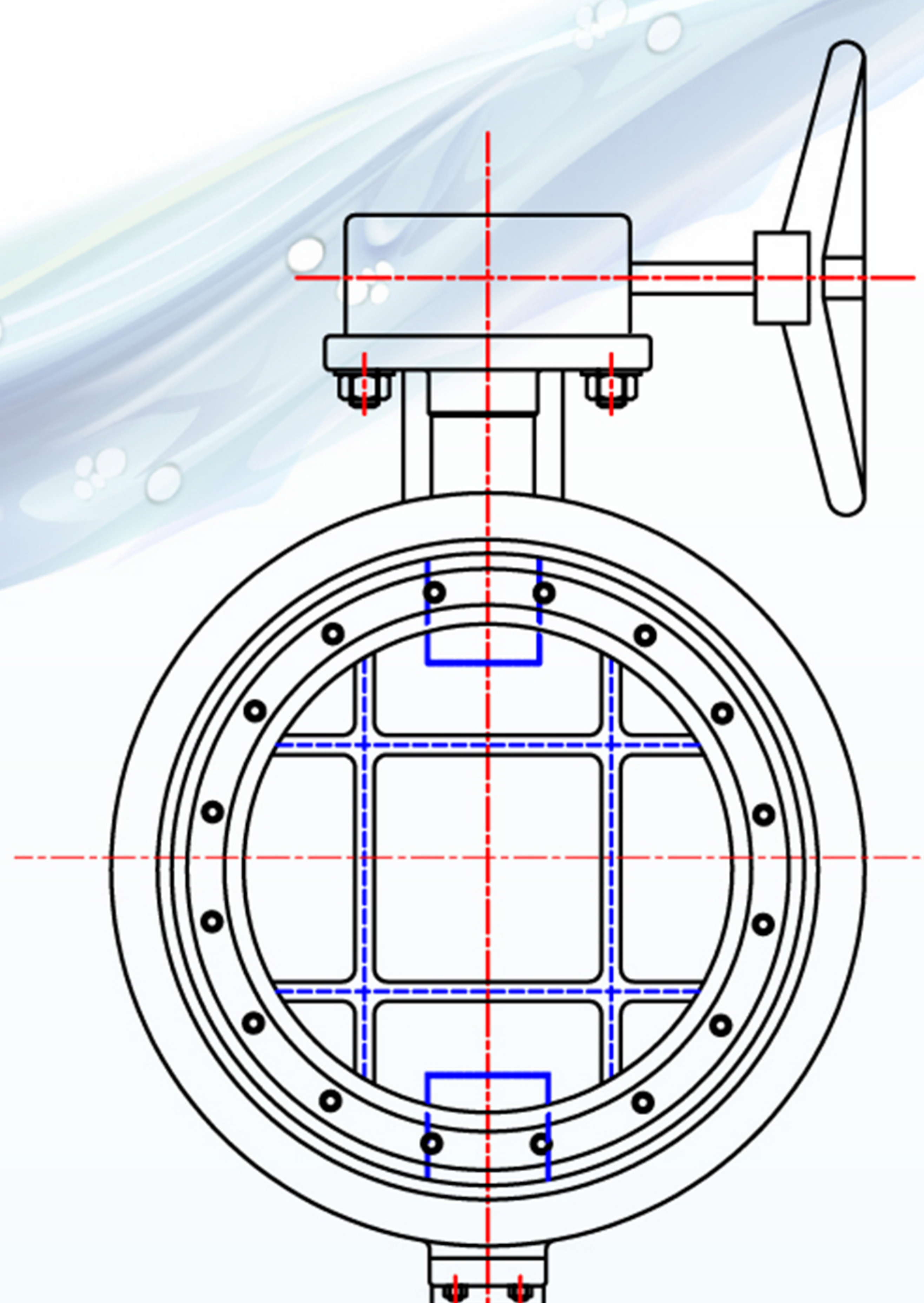


### Materials

Sr.No	Part Name	Material Option
01	Body	CI GG25, DI GGG40, A216 WCB A351 CF8/CF8M, etc..
02	Disc	CI GG25, DI GGG40, A216 WCB A351 CF8/CF8M, etc..
03	Seat / Sleeve	PTFE, RPTFE, EPDM, NITRILE, VITON, NEOPRENE
04	Body Seat	ASTM A276 SS410/SS 304/SS 316/SS
05	Shaft	ASTM A276 SS410/SS 304/SS 316/SS

### Dimensions

SIZE	ØP	A	ØD
100 (4")	110	54	158
125 (5")	120	56	186
150 (6")	152	57	216
200 (8")	200	64	270
250 (10")	250	71	325
300(12")	306	81	373
350 (14")	355	92	412
400 (16")	400	102	472
450 (18")	450	114	532
500 (20")	505	127	584
600 (24")	612	154	693
650 (26")	640	165	749
700 (28")	705	165	800
750 (30")	725	190	857
800 (32")	800	190	915
850 (34")	850	205	965
900 (36")	900	203	1022
1000 (40")	1000	300	1124
1200 (48")	1200	350	1359



- Notes:**
- All Dimensions are in mm.
  - Lug Type and Flange Type Valves Dimensions on Request.
  - MEH - Data provided for information only. Reserve the right to change without notice.



## TECHNICAL DATA

### Standards

- Design & Manufacturing Std API 609 Category 'B'
- Face to Face as per Std API 609 Category 'B'
- Testing Std API 598.
- Flanges are ASME B16.5
- Fire Safe Testing API 607
- Leakage Class VI

### Features

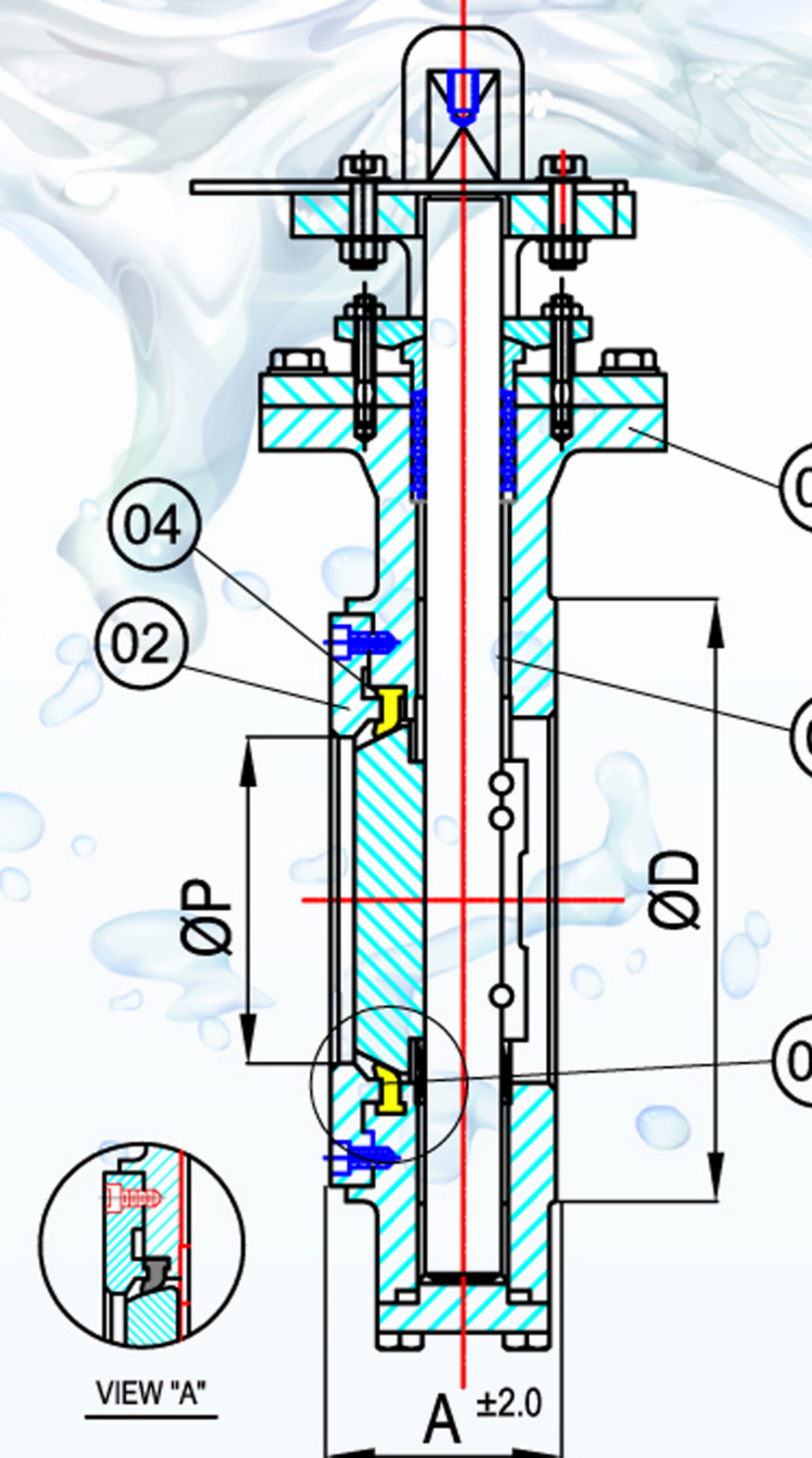
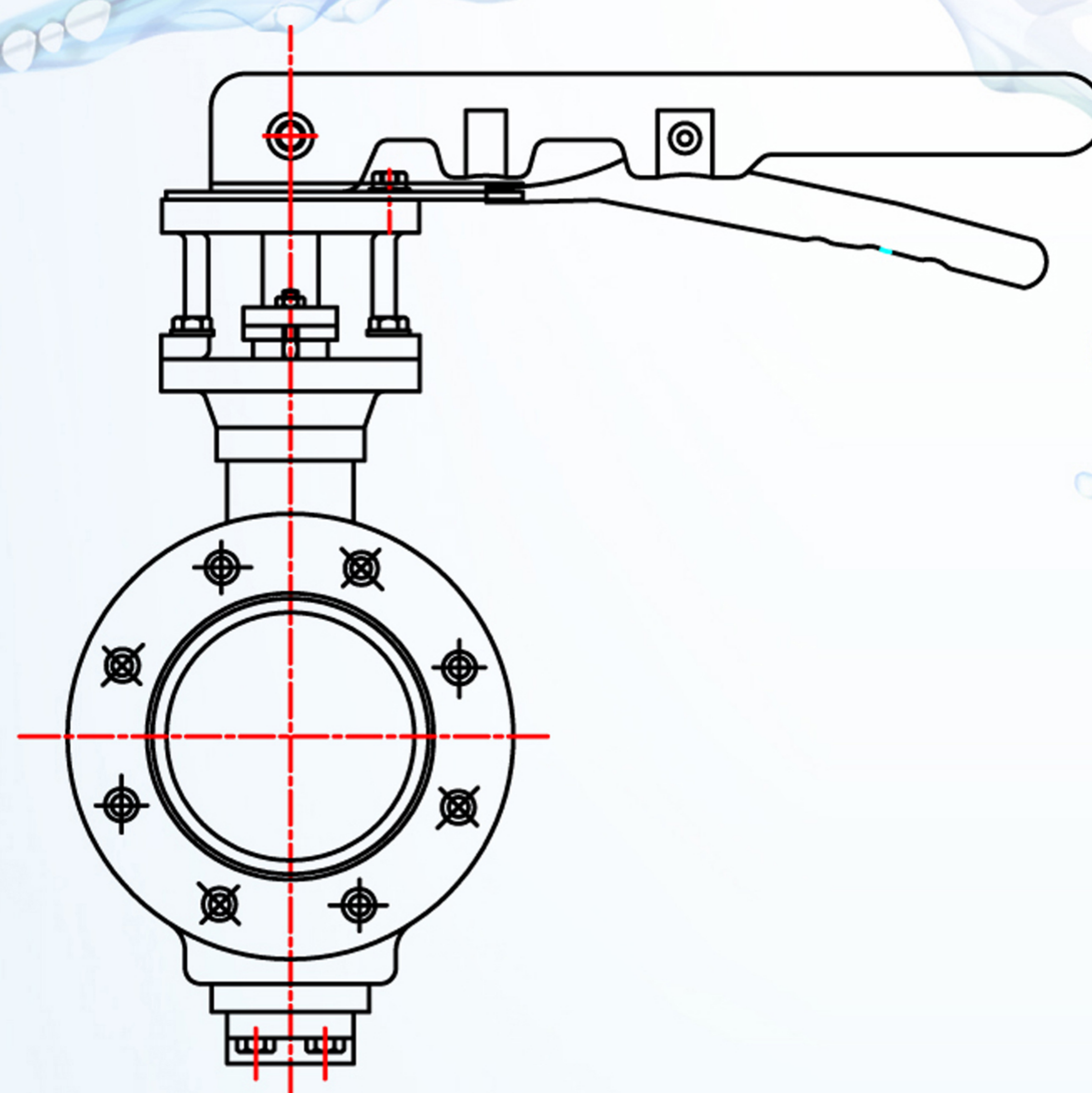
- Sizes : 50mm to 600mm.
- Ends : Wafer & Lug Type
- Double Eccentric Disc Design
- Operating Temperatures - 25° c to 180° C
- Pressure rating #150, 300(PN10, PN/PN16/PN25 & PN40).
- Operation Lever Operated / Manual Worm Gear Operated  
Pneumatic & Electric Actuator Operated.

### Materials

Sr.No	Part Name	Material Option
01	Body	A216 WCB A351 CF8/CF8M, A890 DUPLEX etc..
02	Disc	A216 WCB A351 CF8/CF8M, etc..
03	Seal / Sleeve	PTFE, RPTFE
04	Body Seat	ASTM A276 SS410/SS 304/SS 316/SS
05	Body Seal	GROFOIL
06	Shaft	ASTM A276 SS410/SS 304/SS 316/SS

### Dimensions

SIZE	ØP	A	ØD
50 (2")	50.8	45	95
65 (2.1/2")	60.6	48	108
80 (3")	72	48	127
100 (4")	100	54	159
125 (5")	123	57	186
150(6")	143	57	217
200 (8")	192	64	270
250 (10")	239	71	322
300 (12")	290	81	382
350 (14")	334	92	436
400 (16")	388	102	495
450 (18")	426	114	540
500 (20")	476	128	594
600 (24")	561	154	704



Notes: • All Dimensions are in mm.

• MEH - Data provided for information only. Reserve the right to change without notice.



## TECHNICAL DATA

### Standards

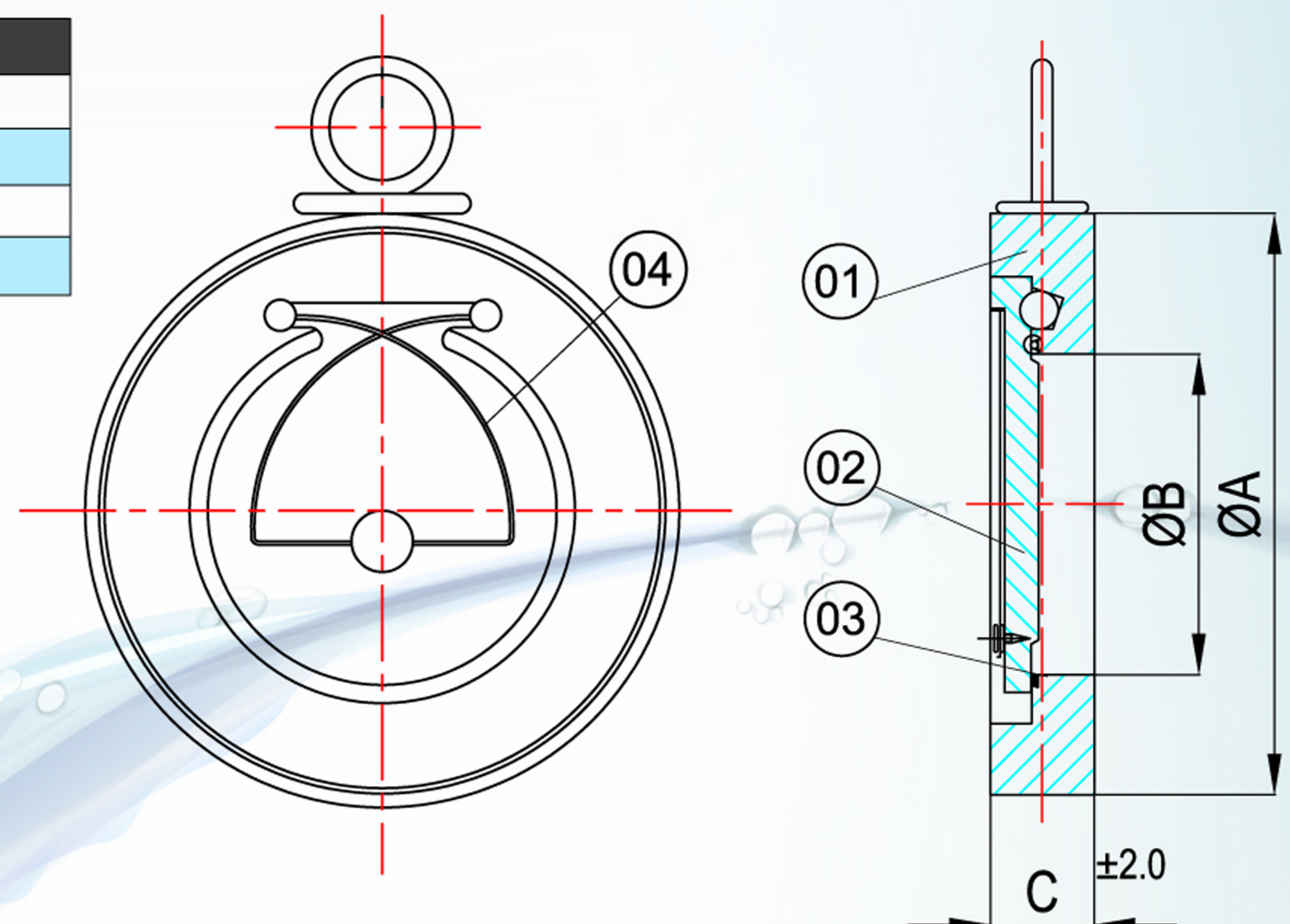
- Design & Manufacturing Std API 6D
- Face to Face as per Std API 6D / BS EN 558-1
- Testing Std API 6D.
- Suitable to Sandwich between #125/150, PN10, PN16 & BS 10 TABLBE D&E.
- Leakage Rate - A

### Features

- Sizes : 40mm to 600mm.
- Single Plate Disc Design.
- Operating Temperatures - 40° c to 180° C
- Pressure rating #150, 300 (PN 10,PN/PN16/PN 25 & PN 40).
- Quick Closing Action, Sturdy Spring Design
- Less Pressure Drop across the Valve.

### Materials

Sr.No	Part Name	Material Option
01	Body	CI GG25, DI GGG40, A216 WCB A351 CF8/CF8M
02	Disc	DI GGG40, A216 WCB, A351 CF8/CF8M
03	Seat	EPDM, NITRILE, VITON, SILICON, PTFE
04	Spring	SS316



### Dimensions

SIZE	40	50	65	80	100	125	150	200	250	300	350	400	450	500	600
#150	85	105	124	137	175	197	222	279	340	410	451	514	549	606	717
#300	95	111	130	149	180	216	250	307	362	422	486	540	597	654	775
PN 10	94	109	129	144	164	194	220	275	330	380	440	491	541	596	698
PN 16	94	109	129	144	164	194	220	275	331	386	446	498	558	620	737
BS10 TD	85	98	111	130	162	194	219	276	336	386	448	498	562	619	730
BS10 TE	85	98	111	130	162	194	216	273	336	384	448	498	562	619	730
ØB	20	30	40	52	71.5	93	114	157	195	240	270	311	361	392	480
C	#150	19	19	19	19	19	19	29	29	38	44	51	60	64	70
Weight in Kg.	.09	1.2	1.7	2.1	3.4	3.8	4.7	10.8	15.5	31.2	39.5	---	---	---	---

Notes: • All Dimensions are in mm.

• MEH - Data provided for information only. Reserve the right to change without notice.



## TECHNICAL DATA

### Standards

- Design & Manufacturing Std API 6D / API 594
- Face to Face as per Std API 6D / BS EN 558-1
- Testing Std API 6D / API 598.
- Suitable to Sandwich between #150/300, PN10, PN16 & BS 10 TABLE D & E.
- Leakage Rate - A.

### Features

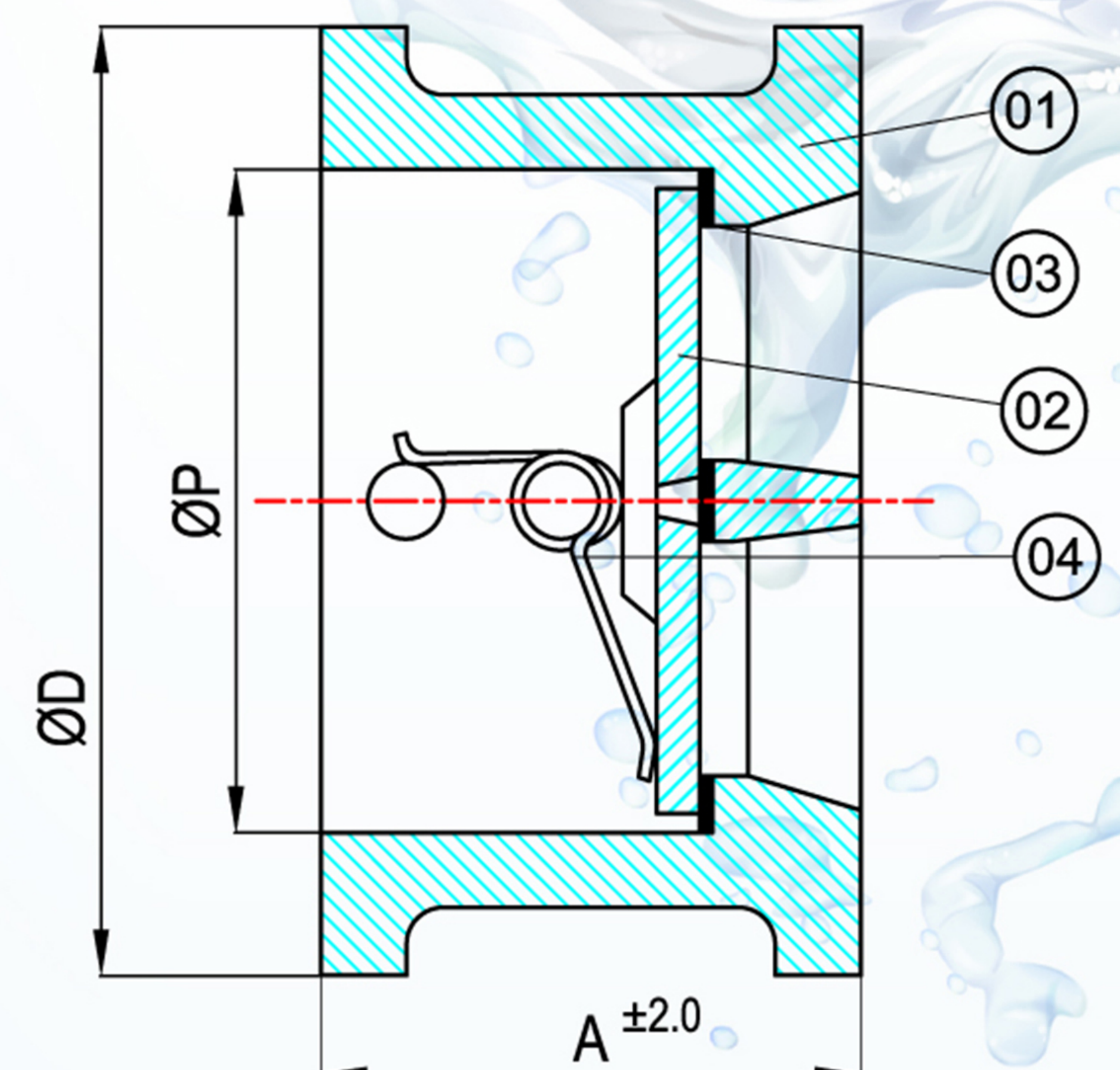
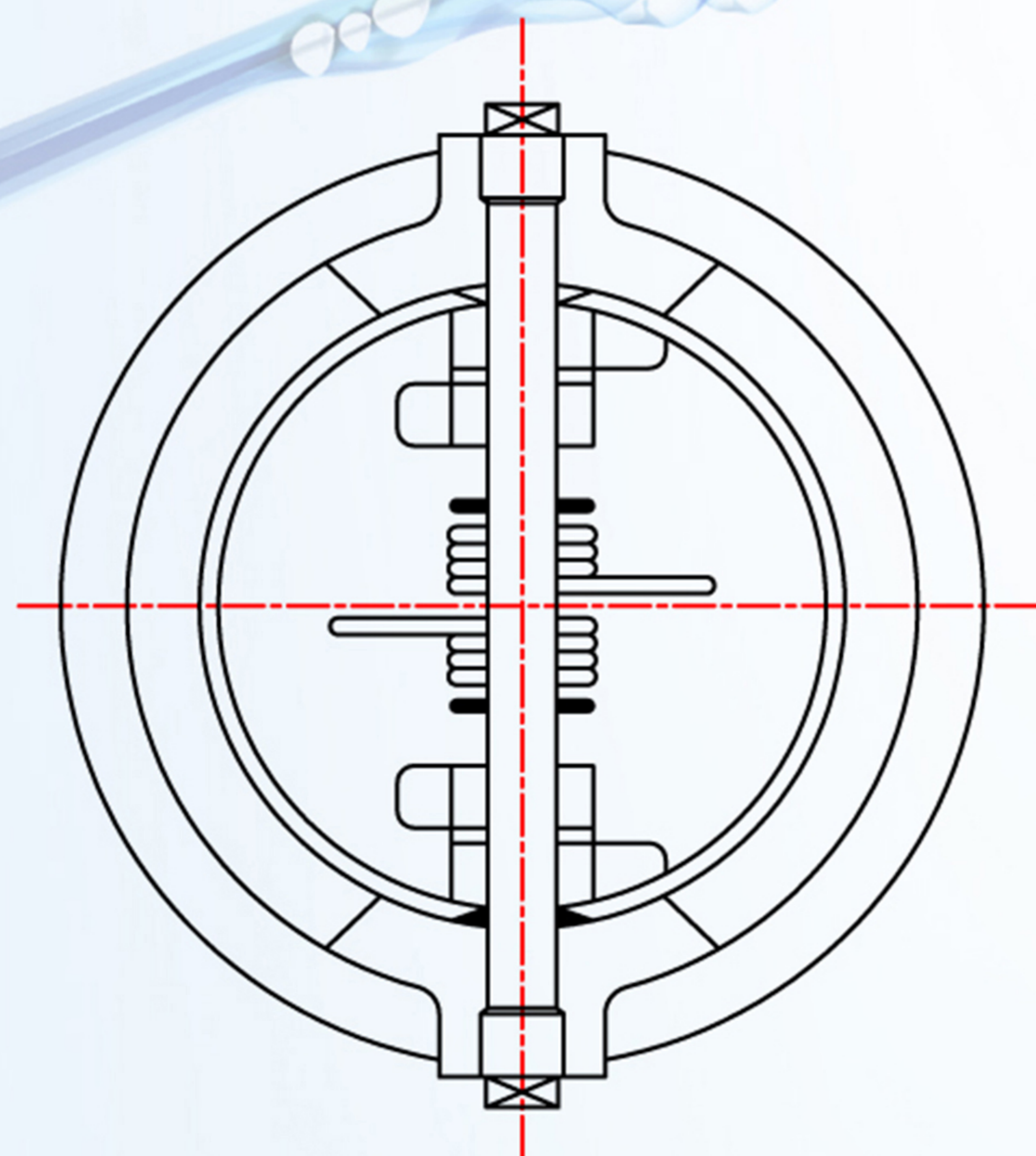
- Sizes : 50mm to 600mm.
- Dual Plate Disc Design.
- Operating Temperatures - 40° C to 180° C
- Pressure rating #150/300(PN10, PN/PN16/PN25 & PN40).
- Metal Seat / Soft Seat Design.
- Ends : Wafer / Lug / Double Flange Type.

### Material

Sr.No	Part Name	Material Option
01	Body	DI GGG40, A216 WCB, A351 CF8/CF8M, A890 DUPLEX
02	Disc	DI GGG40, A216 WCB A351 CF8/CF8M, A890 DUPLEX
03	Seat	EPDM, NITRILE, VITON
04	Spring	SS316

### Dimensions

SIZE	ØP	A	ØD
500(2")	50.8	45	95
65 (2.1/2")	60.6	48	108
80 (3")	72	48	127
100 (4")	100	54	159
125 (5")	123	57	186
150(6")	143	57	217
200 (8")	192	64	270
250 (10")	239	71	322
300 (12")	290	81	382
350 (14")	335	92	436
400 (16")	387.5	102	495
450 (18")	425	114	540
500 (20)	475	127	595
600 (24")	560	154	705



- Notes:**
- All Dimensions are in mm.
  - Lug Type and Flange Type Valves Dimensions on Request.
  - MEH - Data provided for information only. Reserve the right to change without notice.



## TECHNICAL DATA

### Standards

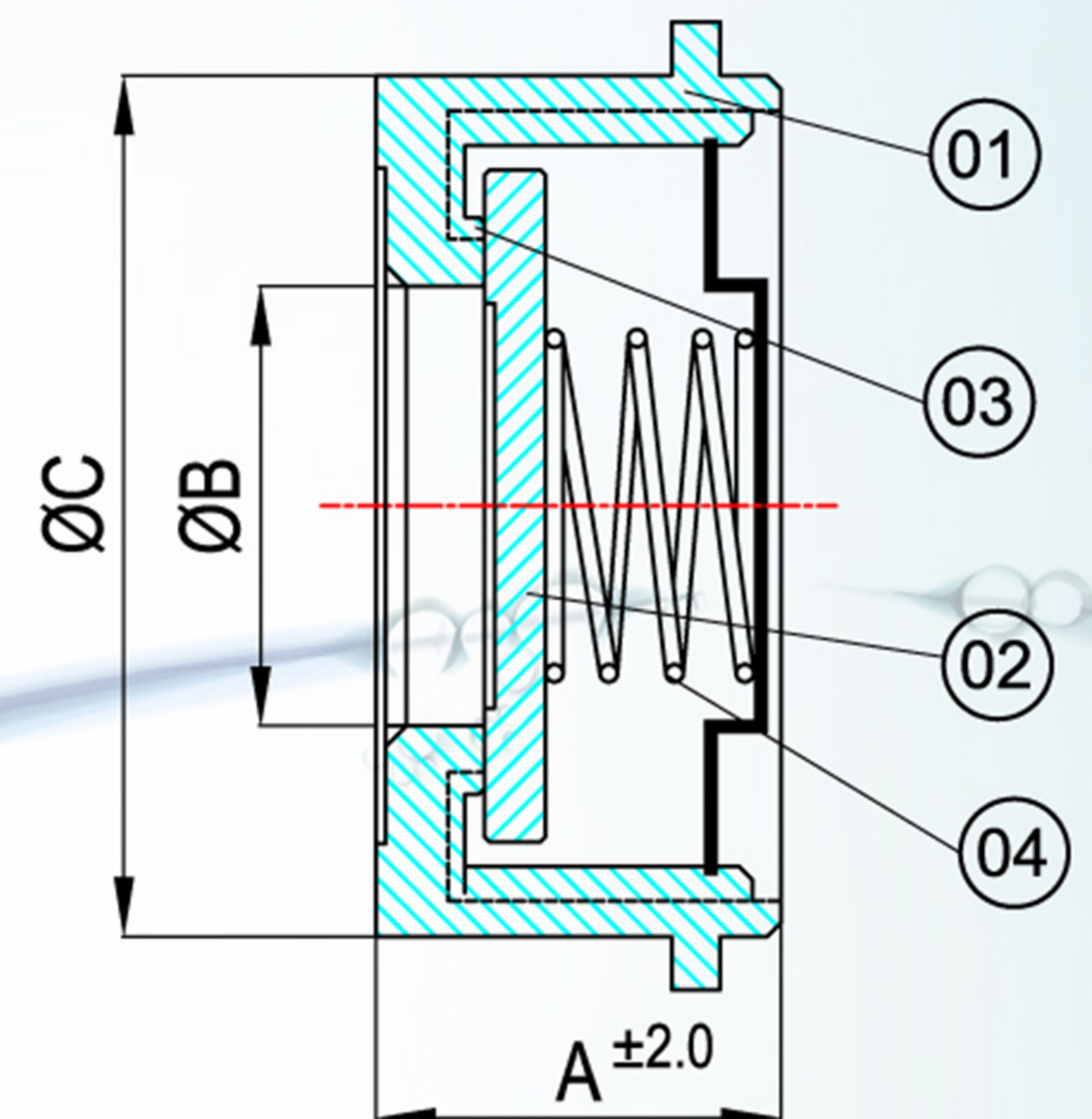
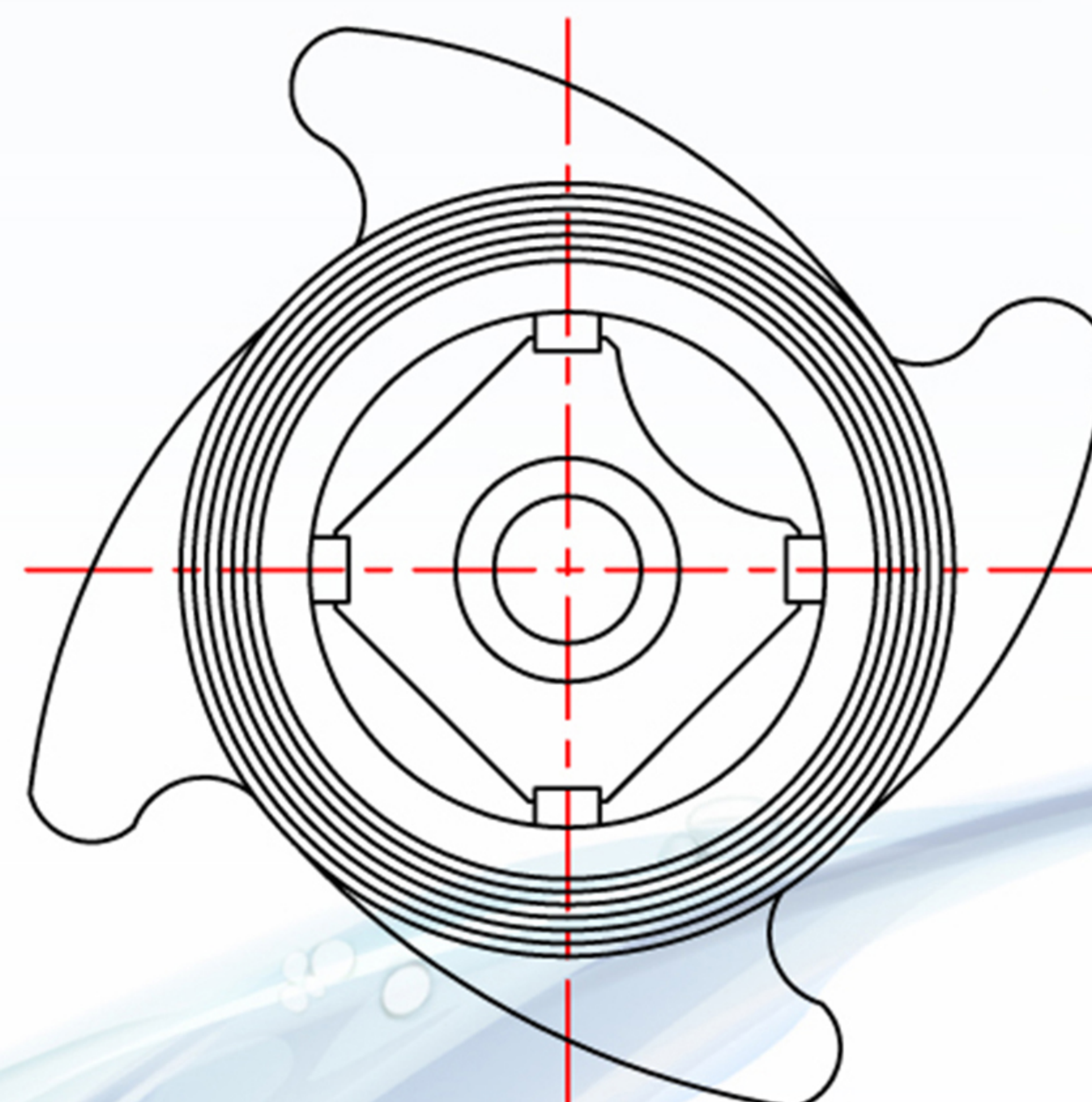
- Design Std MEH, Testing Std API 598.
- Face to Face MEH Std.

### Features

- Size : DN 15 TO DN 150.
- Suitable to Sandwich between #150/300, PN10, PN16 & BS 10 TABLE D & E.
- Pressure rating #150 & 300 (MAX).
- Extremely low opening pressures.
- Cam Design body diameter enable self centering during installation.

### Material

Sr.No	Part Name	Material Option
01	Body	CI GG25, DI GGG40, A216 WCB A351 CF8/CF8M
02	Disc	DI GGG40, A216 WCB, A351 CF8/CF8M
03	Seat	EPDM, NITRILE, VITON, SILICON, PTFE
04	Spring	SS316

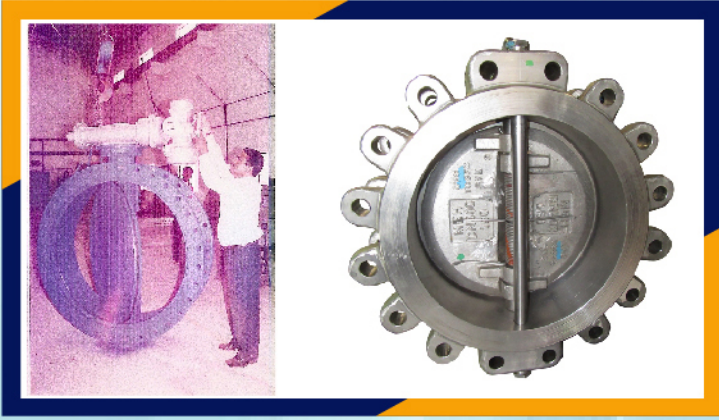


### Dimensions

SIZE	15	20	25	40	50	65	80	100	150
A	16	20	22	32	40	46	50	60	74
ØB	15	20	25	40	50	65	80	100	150
ØC	38	47	55	76	93	109	128	148	202
Weight in Kg.	0.11	0.21	0.31	0.72	1.20	1.80	2.30	3.30	7.10

- Notes:
- All Dimensions are in mm.
  - MEH - Data provided for information only. Reserve the right to change without notice.

# 30 YEARS PROFESSIONAL & GLOBAL EXPERIENCE



Design By : [www.sitechsolutions.in](http://www.sitechsolutions.in)



**Micon Engineers ( Hubli ) Pvt. Ltd**  
*Quality in everything at it's best...*

**Regd. Office cum Corporate Office and Works**

Plot No. : 110 / 111 (P), Rayapur Industrial Estate, Rayapur,  
Dharwad - 580 009, Dharwad Dist, Karnataka, India.

**Phone** : +91 - 0836 - 2970449 / 2970712

**Fax** : +91 - 0836 - 2332928

**Email** : [info@miconvalveshubli.com](mailto:info@miconvalveshubli.com)  
[info.micon123@gmail.com](mailto:info.micon123@gmail.com)

**Website** : [www.miconvalveshubli.com](http://www.miconvalveshubli.com)

**Note :**

We reserve the right to make any changes in the catalogue, or to withdraw or modify any item without prior notice. The data furnished here is protected by copyright laws. Reproduction in any manner, in whole or part is prohibited.  
2020 Edition Product Catalog - 04